

8756

Soft Serve Freezer

Twin Twist, Pump

Features

Offer all the popular soft serve variations from low or non-fat ice creams to custards, yogurt and sorbet. Serve two separate soft serve flavors, or an equal combination of both in a twist.

Freezing Cylinder

Two, 3.4 quart (3.2 liter).

Refrigerated Mix Storage Cabinet

Lower front mix cabinet is independently refrigerated to maintain mix below 41°F (5°C). Door is hinged on the right. Two, 9 gallon (34.1 liter) mix tanks. Two air/mix pumps deliver the precise amount of air and mix to the freezing cylinder.

Indicator Lights

Mix Low light alerts the operator to add mix. Audible alarm may be enabled to sound when mix is low. When the Mix Out light flashes, the unit shuts down automatically to prevent damage.

Electronic Controls

Finished product quality is monitored by Softech™ controls that measure viscosity.

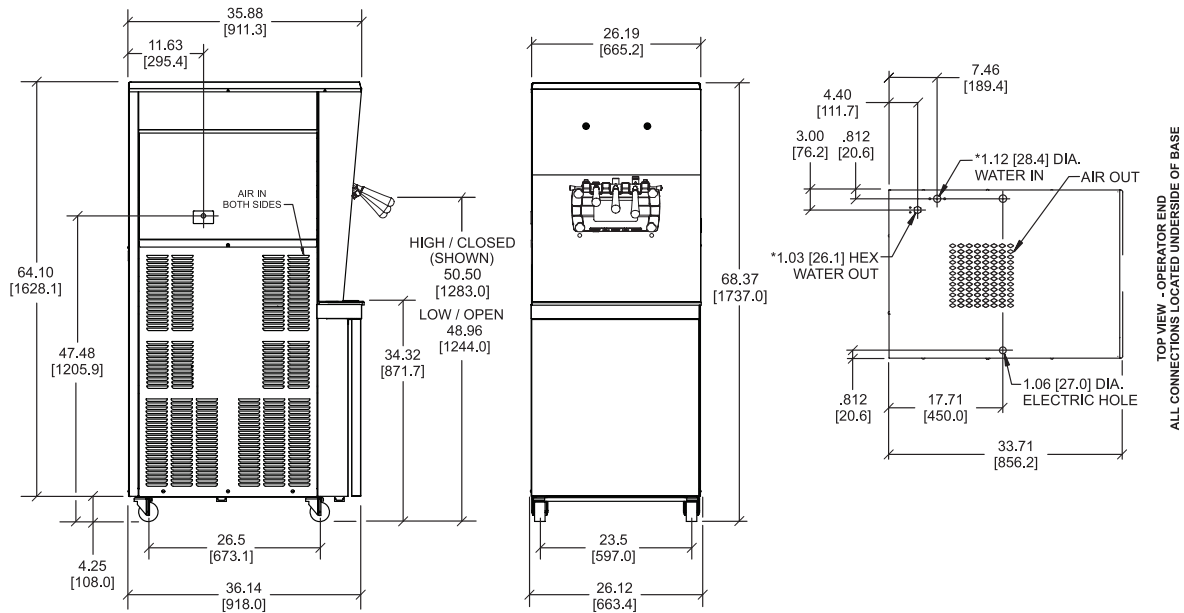
Two Locking Casters

Front casters have a locking feature for operators to lock to maintain equipment in place. The locking casters can be released to move the equipment for cleaning.

Door Interlock System

Protects the operator from injury as the beater will not operate without the dispensing door in place.





FIGURES IN BRACKETS INDICATE MILLIMETERS / DECIMAL DIMENSIONS EQUAL TO (PLUS OR MINUS 1/16 INCH [1.5mm]). *FOR WATER COOLED UNITS ONLY.
DO NOT USE THIS DRAWING FOR STORE LAYOUT.

Weights	lbs.	kgs.
Net	810	367.4
Crated	849	385.1
	cu. ft.	cu. m.
Volume	77.9	2.21
Dimensions	in.	mm.
Width	26-1/4	665
Depth	36-3/16	918
Height	68-3/8	1736
Floor Clearance	4-1/4	108

*Mounted on standard casters

Electrical	Maximum Fuse Size		Minimum Circuit Ampacity		Poles (P) Wires (W)
	Left	Right	Left	Right	
208-230/60/1 Air	40	35	29	26	2P 3W
208-230/60/1 Water	30	25	23	21	2P 3W
208-230/60/3 Air	25	25	21	18	3P 4W
208-230/60/3 Water	25	20	19	16	3P 4W
220-240/50/1 Air	25	20	21	18	2P 3W
220-240/50/1 Water	25	20	20	18	2P 3W
380-415/50/3N Air	12	10	12	9	4P 5W
380-415/50/3N Water	12	10	11	9	4P 5W
220-380/60/3 Air	15	12	17	10	3P 5W

This unit may be manufactured in other electrical characteristics and may have additional regulatory agency approvals. Consult the local Taylor Distributor for other electrical characteristics and agency approvals based on specific electrical and country requirements.

(For exact electrical information and approval marks, always refer to the data label of the unit.)

Continuing research results in steady improvements; therefore, these specifications are subject to change without notice.

Bidding Specs

Electrical: Volt _____ Hz _____ ph _____
Neutral: Yes No Cooling: Air Water NA

Options: _____

Authorized Taylor Distributor

Specifications

Electrical

Two dedicated electrical connections are required. See the Electrical chart for the proper electrical requirements. Manufactured to be permanently connected. Consult your local Taylor distributor for cord & receptacle specifications as local codes allow.

Beater Motor

Two, 1.5 HP.

Refrigeration System

Air Cooled: Two, 10,500 BTU/hr. R449A

Water Cooled: Two 9500 BTU/hr. R449A

Mix Cabinet, 1,000 BTU/hr. R134A.

(BTUs may vary depending on compressor used.)

Air Cooled

Minimum 3" (76 mm) around all sides and 12" (305 mm) on top. Minimum air clearances must be met to assure adequate air flow for optimum performance.

Water Cooled

Water inlet and drain connections under side of base 1/2" FPT.

Options

- Cone Dispenser
- Draw Valve Lock Kit
- Panel Spinner
- Sneeze Guard
- Syrup Rail Kit (side mount)